

SF12

Bathroom Fan

About SF12

The ultra energy efficient SF12 bathroom fan is designed for the demanding moisture extraction requirements of the bathroom, providing a drier and healthier home.

The operation of SF12 is fully automatic. The remote AUTOSTAT humidity controller allows for optimum positioning of the unit and monitors bathroom humidity levels around the clock. There are no user adjustments to the AUTOSTAT and only a single pull cord control to manually override the fan to ON.

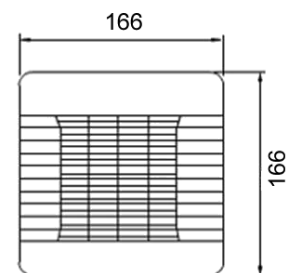
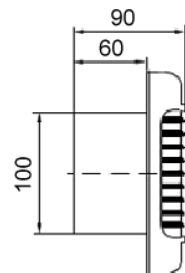


Features and Benefits:

- Incorporates MagLev technology which means:
 - ◇ Almost silent operation
 - ◇ Cost effective as it is inexpensive to run, low maintenance and has a long life.
 - ◇ Can be fixed in any orientation without affecting performance (wall, ceiling, window)
- Electromechanical automatic shutters operate silently and prevent drafts
- The remote AUTOSTAT (humidity controller) is perfectly in tune with normal living conditions and;
 - ◇ Responds to changes (and uniquely, small changes) in air humidity requiring no manual adjustment to retain the air quality in your home
 - ◇ Incorporates a data-logger that captures humidity, temperature and fan operation providing details on the dwelling air quality for improved condensation control management
- A remote 12V SELV transformer is included as standard (the preferred option for wet environments)
- Produces up to 85m³/h of air flow thereby conforming to building regulations part F
- Lifetime* guarantee on the MagLev motor and 5 year guarantee on all other parts giving peace of mind



SF12 uses only 4 WATTS of electricity.



What is MagLev Technology:

MagLev fans are derived from the most advanced train technology in the world. We have integrated the science behind making the MagLev trains float above the rails and propel forward, into our complete range of domestic fans.

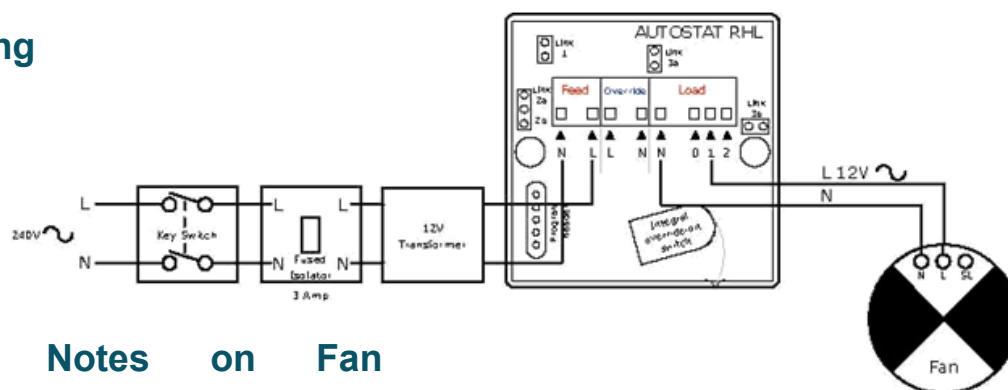
The levitation of the blade and housing is created through opposing magnetic forces causing propulsion through perpendicular magnetic fields. This means that there is no physical contact between the moving parts and therefore no mechanical friction. This in turn means that the fan temperatures is low and there is less waste of energy and less wear to the components. No friction also results in exceptionally high efficiency, quieter running and improved balance. All these features make a highly reliable motor with around 30 years life expectancy under normal operating conditions.

Lifetime* = lifetime of fan motor > 50,000 hours in normal conditions

SF12 Kit options

Item	Part No.	Kit Contents
SF12 fan	SF12-FAN	SF12 fan only
SF12 wall kit	SF12-KIT	SF12 fan, Autostat IV, 12V transformer, external grille, mounting kit
SF12 window kit	SF12P-KIT	SF12 fan, Autostat IV, 12V transformer, window
SF12 double glazing kit	SF12-DG	SF12 fan, Autostat IV, 12V transformer,

SF12 Wiring



General Notes on Fan Installations

The fan position should be as far as practical from the main source of air replacement. This is to avoid short-circuiting of the airflow.

The remote AUTOSTAT should be positioned 100mm down from the ceiling on an internal wall and not above a heat source, optimally located to sense moisture sources.

Upon installation, the AUTOSTAT will self test indicating as follows:

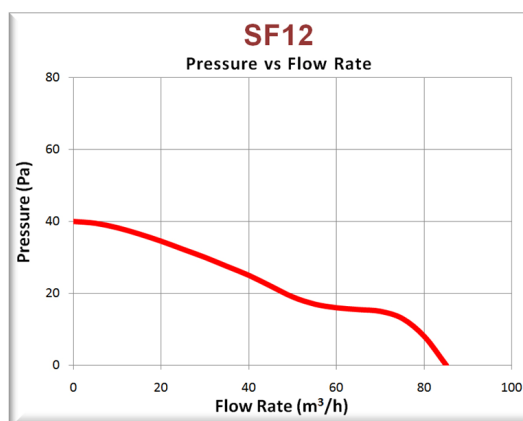
First power up: Flashes red on and off every second for 5 minutes.

Humidity sensing: Flashes green on and off once every second.

Pull cord over ride on: Red continuous.

Stand-by: Flashes amber once every 20 seconds.

The SF12 has a 100mm spigot and is supplied with a sleeve to an external grille (supplied as standard in brown. Other colours are available upon request at time of order).



And for the Specifier.....

The SF12/ SF12P* fan kit is supplied with a remote AUTOSTAT and transformer, wall sleeve/window kit* and external grille and can be installed through the bathroom wall /window*. The fan will include a MagLev motor of not more than 4 Watts extracting at no less than 85M³/h. The fan has automatic shutters, a remote Autostat humidity control and a 12V SELV transformer.

*delete as appropriate

Product	POWER				
	Max Air Flow M ³ /H	Fan Input (Watts)	Static Pressure (PA)	Noise (DB)	Exhaust Spigot Size (mm)
SF12	85	4	40	36	100